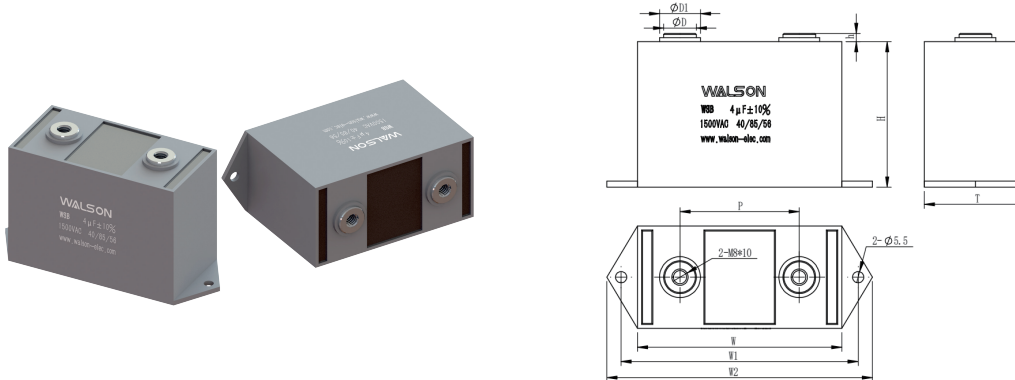


# WSB 方壳吸收/谐振电容器 Snubber/Resonant Capacitor (Boxed)

## 外形图 Outline Drawing



单位 Unit: mm

## 特点 Features

- 塑料外壳封装, 阻燃环氧树脂注塑
- 铜螺母引出, 方便安装
- 无感式结构, ESL低、ESR小, 高脉冲电流, 高DV/DT承受能力; 耐压高, 损耗小, 温升低, 寿命长等特点
- Plastic packaging, Sealed with epoxy resin
- Copper nut lead, convenient installation
- Non inductive structure, ESL low, ESR small, high pulse current, high DV/DT bearing capacity, high pressure, low loss, low temperature rise, long life and so on

## 主要用途 Typical Applications

- 应用于电力电子设备中的串/并联谐振
- 广泛应用于电焊机, 电源, 感应加热设备等谐振场合
- Widely used in power electronic devices in series/parallel resonant circuit
- Widely used in welding, power supplies, induction heating equipment resonance occasions

## 技术要求 Specifications

执行标准 Implemented Standard	GB/T 3984、IEC60110
气候等级 Climatic Category	40/85/21
额定电压 Rated Voltage	1200V.DC~2000V.DC
容量范围 Capacitance Range	1 μF ~ 8 μF
容量偏差 Capacitance Tolerance	± 5% ( J ) , ± 10% ( K )
极间耐压 Voltage Test Between Terminals	1.5U <sub>n</sub> ( VDC ) /60S
绝缘电阻 Insulation resistance	≥5000S ( 100VDC , 60S at 20℃ )

■ 规格参数 Specification Parameter

C <sub>N</sub> (μF)	尺寸 Dimension (mm)		ESR (mΩ)	ESL (nH)	DV/DT (V/μs)	I <sub>pk</sub> (A)	I <sub>max(A)</sub> @40°C
	ΦD	H					
<b>Un 1200V.DC Urms 500V.AC Up 700V</b>							
2	63	50	9.6	21	500	1000	30
3	63	50	6.4	22	500	1500	35
4	63	50	4.8	22	400	1600	45
5	63	50	3.8	23	500	1500	50
6	76	50	3.2	25	350	2100	60
7	76	50	2.7	25	300	2100	65
<b>Un 1600V.DC Urms 600V.AC Up 850V</b>							
2	63	50	9.6	21	700	1400	30
3	63	50	6.4	22	600	1800	35
4	63	50	4.8	22	550	2200	45
5	76	50	3.8	23	500	2500	55
6	76	50	3.2	25	450	2700	65
<b>Un 2000V.DC Urms 700V.AC Up 990V</b>							
2	63	50	9.6	21	800	1600	50
3	63	50	6.4	22	700	2100	55
4	76	50	4.8	22	600	2400	65